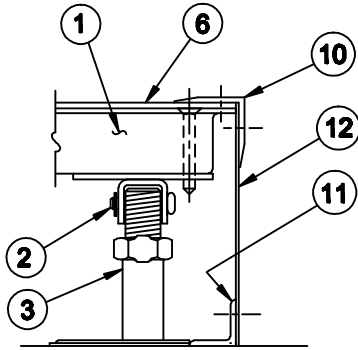
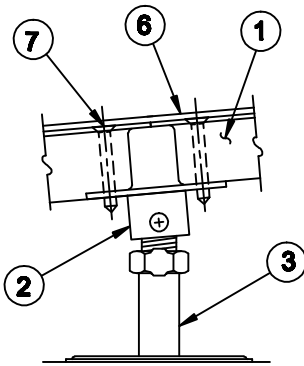
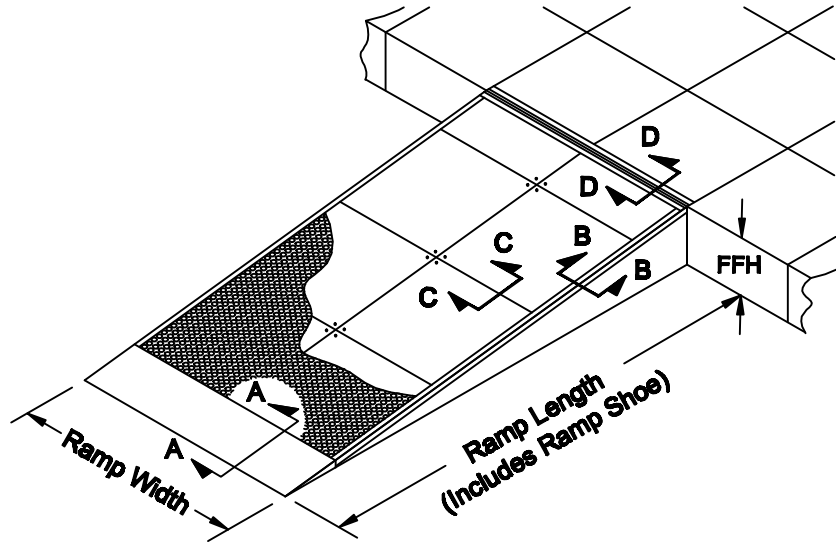


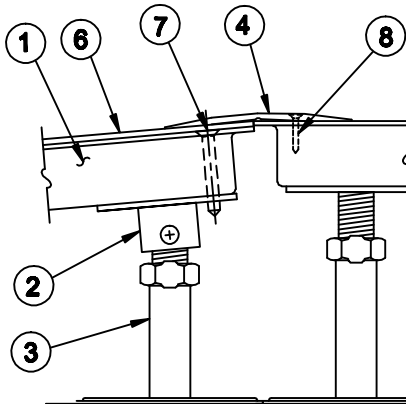
SECTION A
AT BOTTOM OF RAMP



SECTION B
AT SIDE OF RAMP



SECTION C



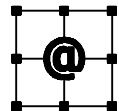
SECTION D
AT TOP OF RAMP

| No. | DESCRIPTION |
|-----|----------------------|
| 1 | Corner-Lock Panel |
| 2 | Swivel Pedestal Head |
| 3 | Pedestal Base |
| 4 | Aluminum Threshold |
| 5 | Aluminum Rampshoe |
| 6 | Orbital Rubber Tile |
| 7 | Corner-Lock Fastener |

| No. | DESCRIPTION |
|-----|-----------------------|
| 8 | Flat Head Screw |
| 9 | Concrete Anchor Screw |
| 10 | Aluminum Top Angle |
| 11 | Aluminum Bottom Angle |
| 12 | Aluminum Fascia Plate |

NOTE: Items 8 Through 12 Are
NOT INCLUDED In Standard Ramp Kit
And Must Be Ordered Separately

NOTE: Cut-Sheet drawing and specifications are subject to change without prior notice.



ASM Modular System Inc.®

9500 Industrial Center Dr.
Ladson, SC, 29468

www.asmproducts.com

Tel: 843-534-1110
Fax: 843-534-1111

FS & S SERIES
STANDARD RAMP KIT

Rev. 9/07

CS - 8202