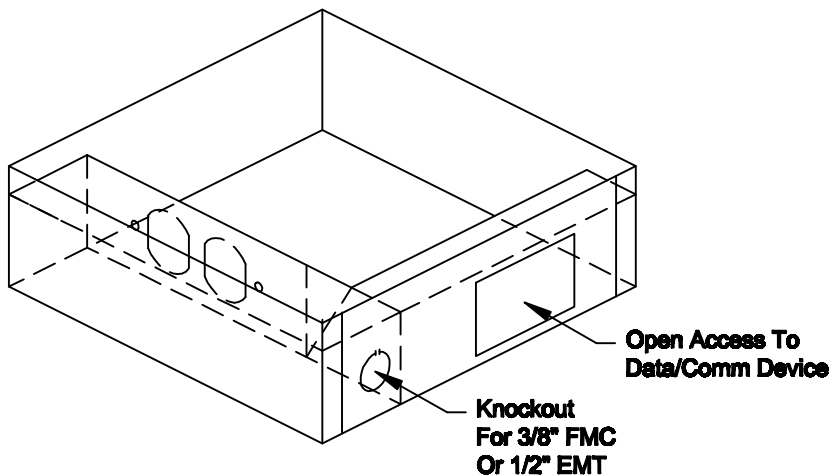


FRONT VIEW



REAR VIEW
(Shown With Lid Removed)

Additional Features

Provides Interconnection Point Between Raised Access Floor Wiring Systems And Workstation Equipment Cables.

Box Is Constructed Of 1.5 mm Galvanized Steel

Electrical

Rated At 20 Amp/120V AC For Duplex Receptacle

Finishes

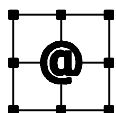
Lid Is Available In Black Or Brown Color

Mounting

Mounts Into 8-3/4" Square Cutout In Floor Panel.

Requires A Min. 2 1/2" F.F.H.

NOTE: Cut-Sheet drawing and specifications are subject to change without prior notice.



ASM Modular System Inc.®

9500 Industrial Center Dr.
Ladson, SC, 29468

Tel: 843-534-1110
Fax: 843-534-1111

www.asmproducts.com

**RFB-100LP
SMART-BOX
RAF SERVICE BOX**

6/09

CS - 7020