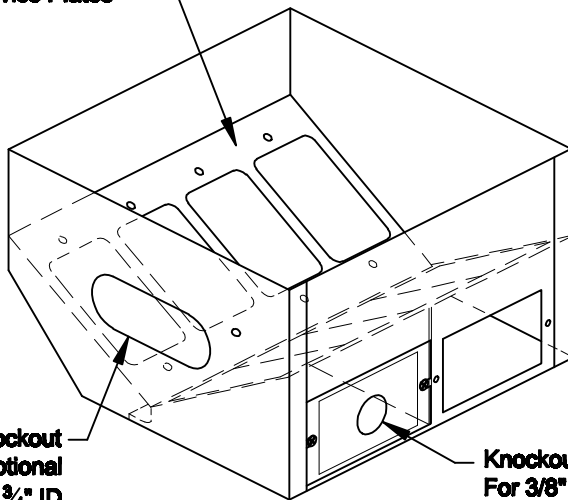


FRONT VIEW

Data Plate
For Four Optional
Data/Comm
Device Plates



REAR VIEW

(Shown With Lid Removed)

Additional Features

Provides Interconnection Point Between Raised Access Floor Wiring Systems And Workstation Equipment Cables.

Box Is Constructed Of 2 mm Galvanized Steel

Electrical

Rated At 20 Amp/120V AC For Duplex Receptacles

Finishes

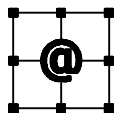
Lid Is Available In Black Or Brown Color

Mounting

Mounts Into 8-3/4" Square Cutout In Floor Panel.

Requires A Minimum Of 5" F.F.H.

NOTE: Cut-Sheet drawing and specifications are subject to change without prior notice.



ASM Modular System Inc.®

9500 Industrial Center Dr.
Ladson, SC, 29468

Tel: 843-534-1110
Fax: 843-534-1111

www.asmproducts.com

**RFB-100
SMART-BOX
RAF SERVICE BOX**

Rev. 9/07

CS - 7010