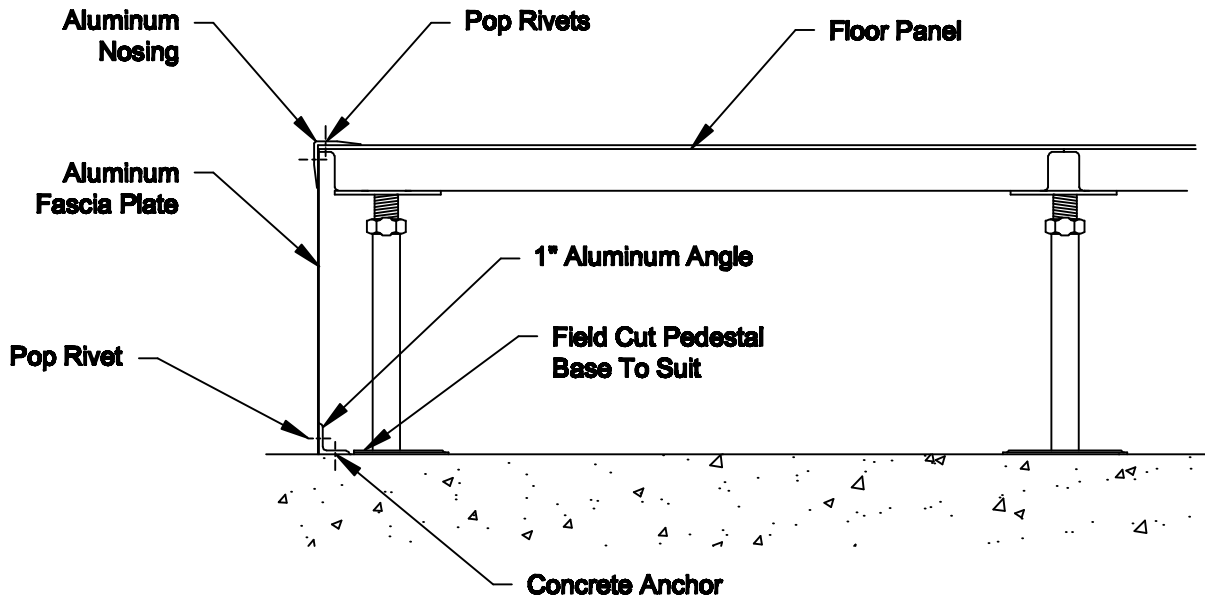
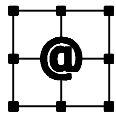


FASCIA BETWEEN TWO FLOOR HEIGHTS



FASCIA AT OPEN FLOOR PERIMETER

NOTE: Cut-Sheet drawing and specifications are subject to change without prior notice.



ASM Modular System Inc.®

9500 Industrial Center Dr.
Ladson, SC, 29468

Tel: 843-534-1110
Fax: 843-534-1111

www.asmproducts.com

**FASCIA CLOSURE
TYPICAL DETAILS**

Rev. 9/07

CS - 6605