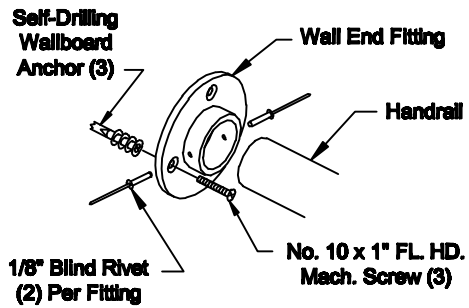
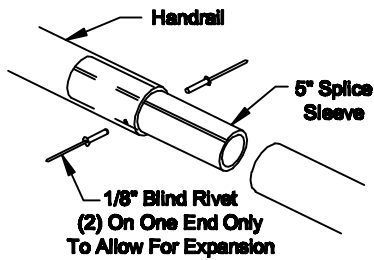


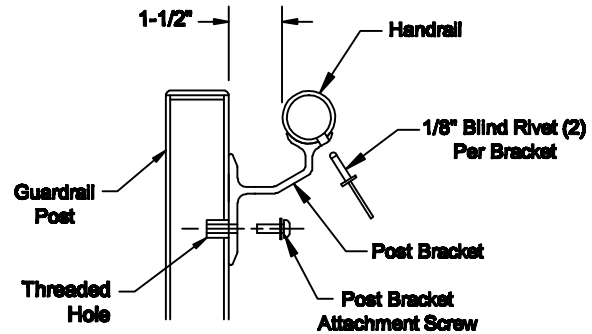
TEE FITTING



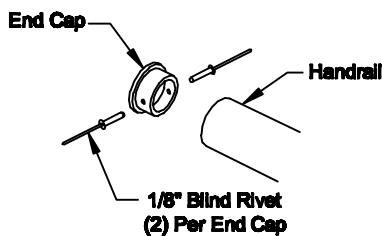
WALL END FITTING



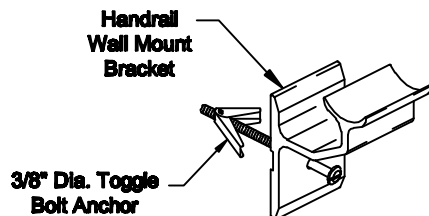
SPLICE SLEEVE



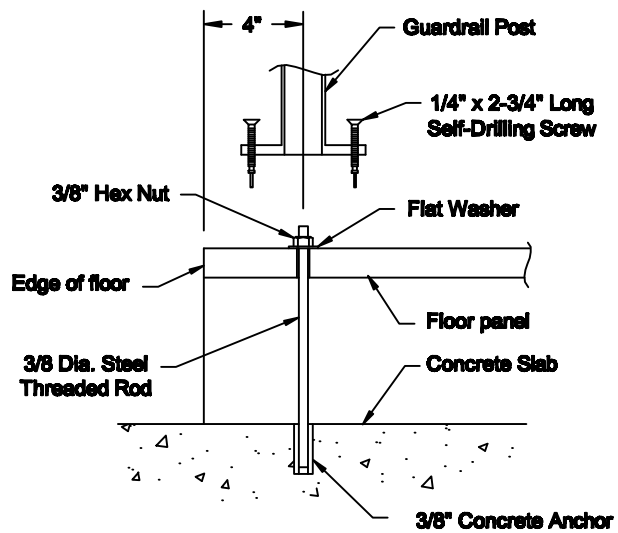
HANDRAIL POST BRACKET



END CAP



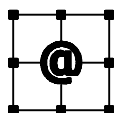
WALL MOUNT BRACKET



CONNECTION OF HANDRAIL POST TO PANEL AND TO SUBFLOOR

NOTE: Cut-Sheet drawing and specifications are subject to change without prior notice.

**HANDRAILS
DETAILS OF ASSEMBLY**



ASM Modular System Inc.®

9500 Industrial Center Dr.
Ladson, SC, 29468

Tel: 843-534-1110
Fax: 843-534-1111

www.asmproducts.com