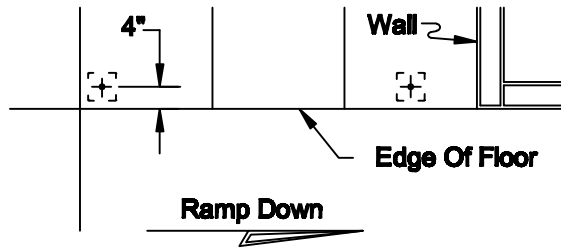
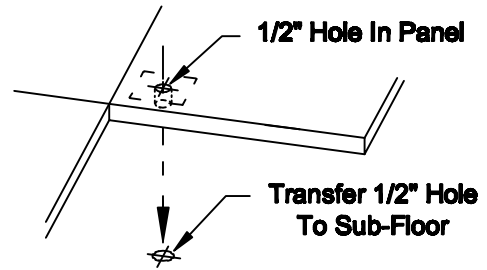


1



Mark center of post locations at 4" in from edge of raised floor as points to drill holes for all-thread rod.

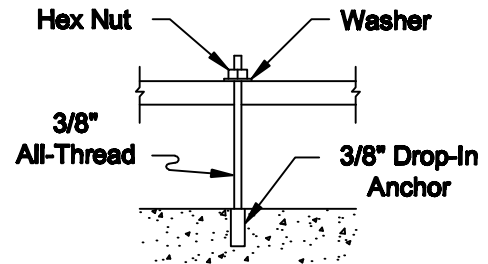
2



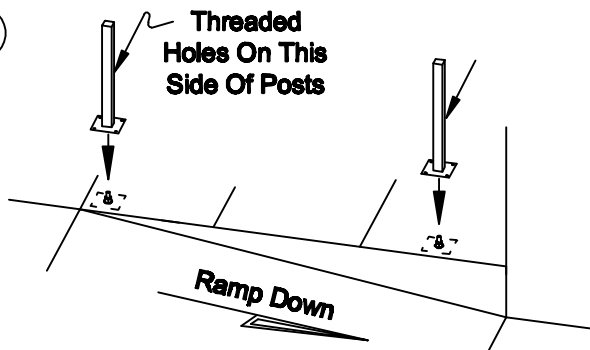
Drill 1/2" dia. holes in panels at marked locations. Transfer (plumb) down to slab and mark anchor locations on sub-floor.

3

Drill 1/2" holes in concrete slab with masonry bit and hammer drill. Clear holes of debris and insert anchors. Set anchors with drive punch and install all-thread. Replace panels over all-thread. Place washer over all-thread and onto panels install hex nut onto rod and tighten snugly. Be careful not to overtighten and warp panels.



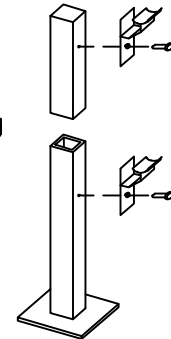
4



Place posts over all-thread with threaded holes facing inward towards raised floor area. Use 1/4-20 self-drilling screws to fasten base of handrail posts to floor panels.

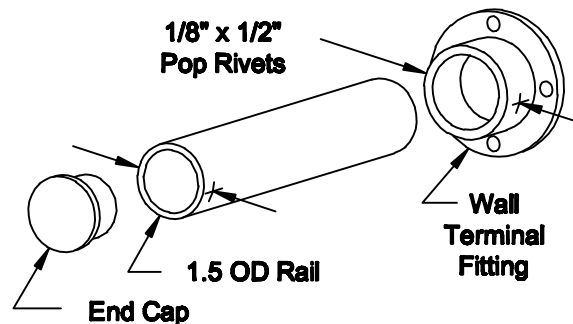
5

Fasten upper and lower brackets to post using 1" long 1/4-20 pan head screws with attached star washers.

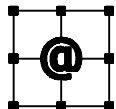


6

File both ends of 1.5 OD rail to remove burrs. Install end cap on one end and wall terminal fitting on the other end using pop rivets. Drill rivet holes to 9/64" dia.



NOTE: Cut-Sheet drawing and specifications are subject to change without prior notice.



ASM Modular System Inc.[®]

9500 Industrial Center Dr.
Ladson, SC, 29466

Tel: 843-534-1110
Fax: 843-534-1111

www.asmproducts.com

HANDRAILS ASSEMBLY INSTRUCTIONS