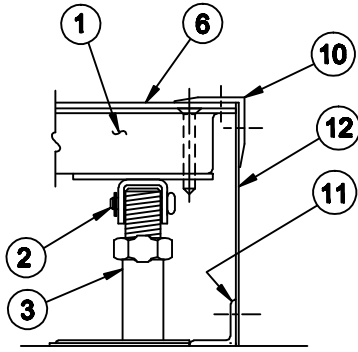
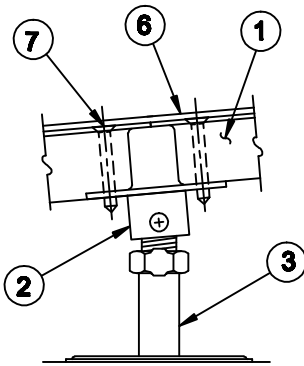
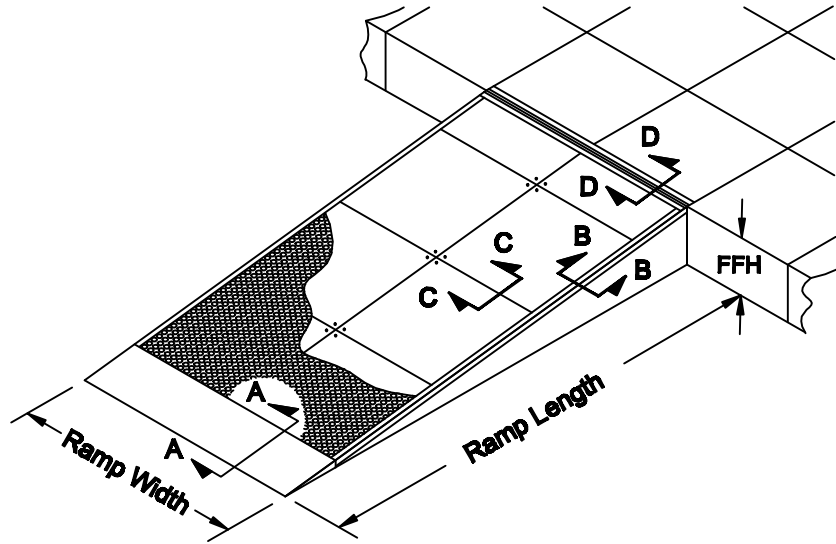


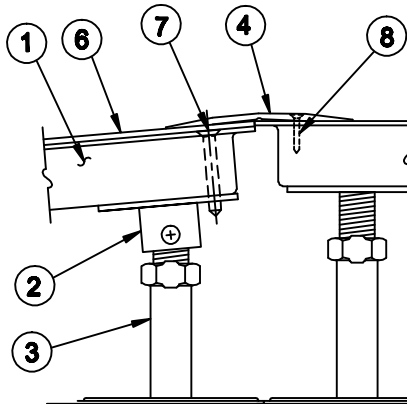
SECTION A
AT BOTTOM OF RAMP



SECTION B
AT SIDE OF RAMP



SECTION C

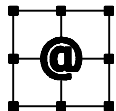


SECTION D
AT TOP OF RAMP

No.	DESCRIPTION
1	Corner-Lock Panel
2	Swivel Pedestal Head
3	Pedestal Base
4	Aluminum Threshold
5	Aluminum Rampshoe
6	Orbital Rubber Tile
7	Corner-Lock Fastener
8	Flat Head Screw
9	Concrete Anchor Screw
10	Aluminum Top Angle
11	Aluminum Bottom Angle
12	Aluminum Fascia Plate

NOTE: Cut-Sheet drawing and specifications are subject to change without prior notice.

**FS & S SERIES
TYPICAL PANEL RAMP
ASSEMBLY**



ASM Modular System Inc.®

9500 Industrial Center Dr.
Ladson, SC, 29468

Tel: 843-534-1110
Fax: 843-534-1111

www.asmproducts.com

Rev. 9/07

CS - 6005