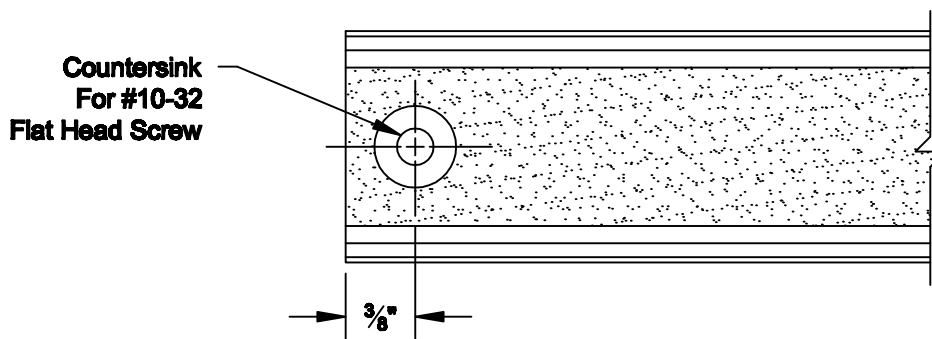
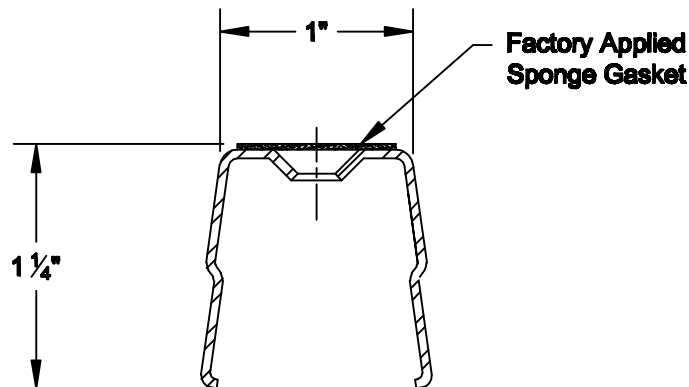


SIDE SECTION VIEW

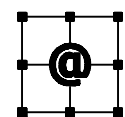


TOP END VIEW



END SECTION VIEW

NOTE: Cut-Sheet drawing and specifications are subject to change without prior notice.



ASM Modular System Inc.®

9500 Industrial Center Dr.
Ladson, SC, 29456

www.asmproducts.com

Tel: 843-534-1110
Fax: 843-534-1111

**MCS-2
SNAP-TITE / BOLT-TITE
STRINGER**

Rev. 9/07

CS - 5280