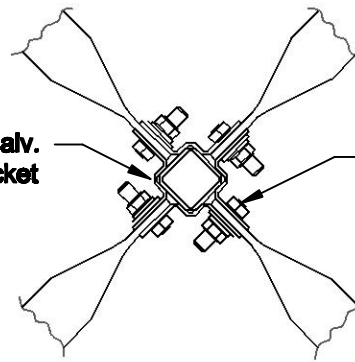


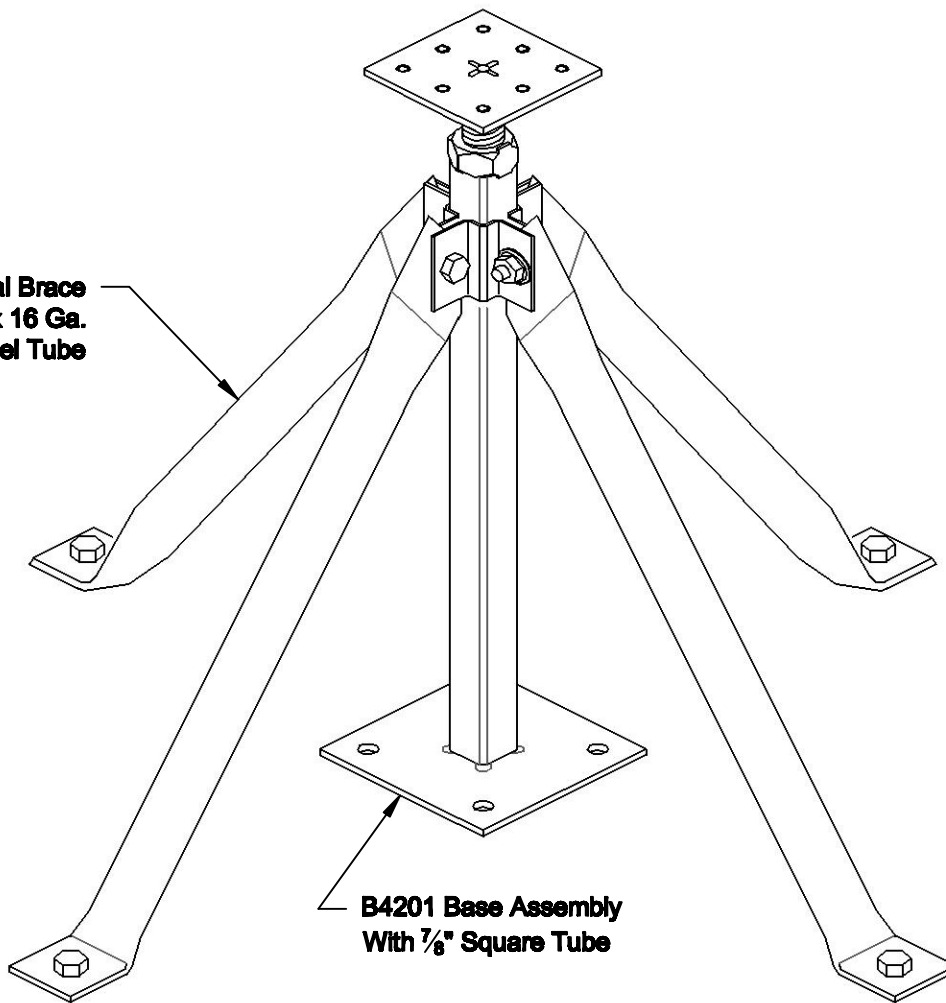
12 Ga. Galv.  
Angle Bracket

5/16-18 x 3/4" Bolt  
With Flat Washer  
And Hex Nut



Can Be Used As A Single Brace  
Or As A Double Brace Assembly

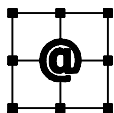
Diagonal Brace  
1" O.D. x 16 Ga.  
Galv. Steel Tube



B4201 Base Assembly  
With 7/8" Square Tube

**NOTE:** Cut-Sheet drawing and specifications are subject to change without prior notice.

## SEISMIC BRACING FOR B4201 BASE



**ASM Modular System Inc.®**

9500 Industrial Center Dr.  
Ladson, SC, 29456

Tel: 843-534-1110  
Fax: 843-534-1111

[www.asmproducts.com](http://www.asmproducts.com)

11/07

CS-2705