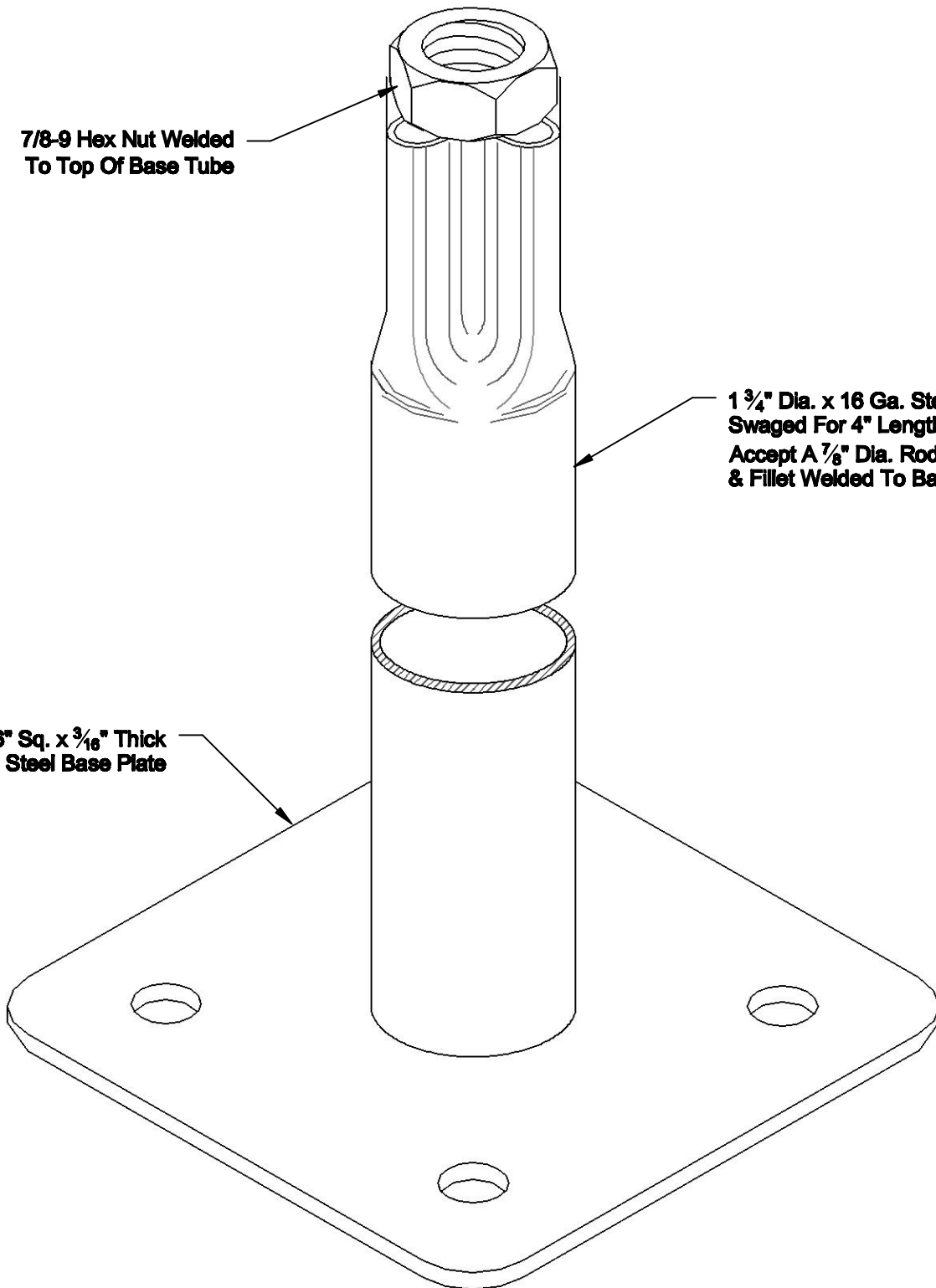


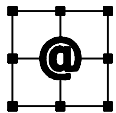
7/8-9 Hex Nut Welded
To Top Of Base Tube

1 3/4" Dia. x 16 Ga. Steel Tube
Swaged For 4" Length To
Accept A 7/8" Dia. Rod
& Fillet Welded To Base Plate

6" Sq. x 3/16" Thick
Steel Base Plate



NOTE: Cut-Sheet drawing and specifications are subject to change without prior notice.



ASM Modular System Inc.®

9500 Industrial Center Dr.
Ladson, SC, 29456

www.asmproducts.com

Tel: 843-534-1110
Fax: 843-534-1111

**B6318BW
BASE ASSEMBLY
WITH WELDED NUT**

10/07

CS-2089W