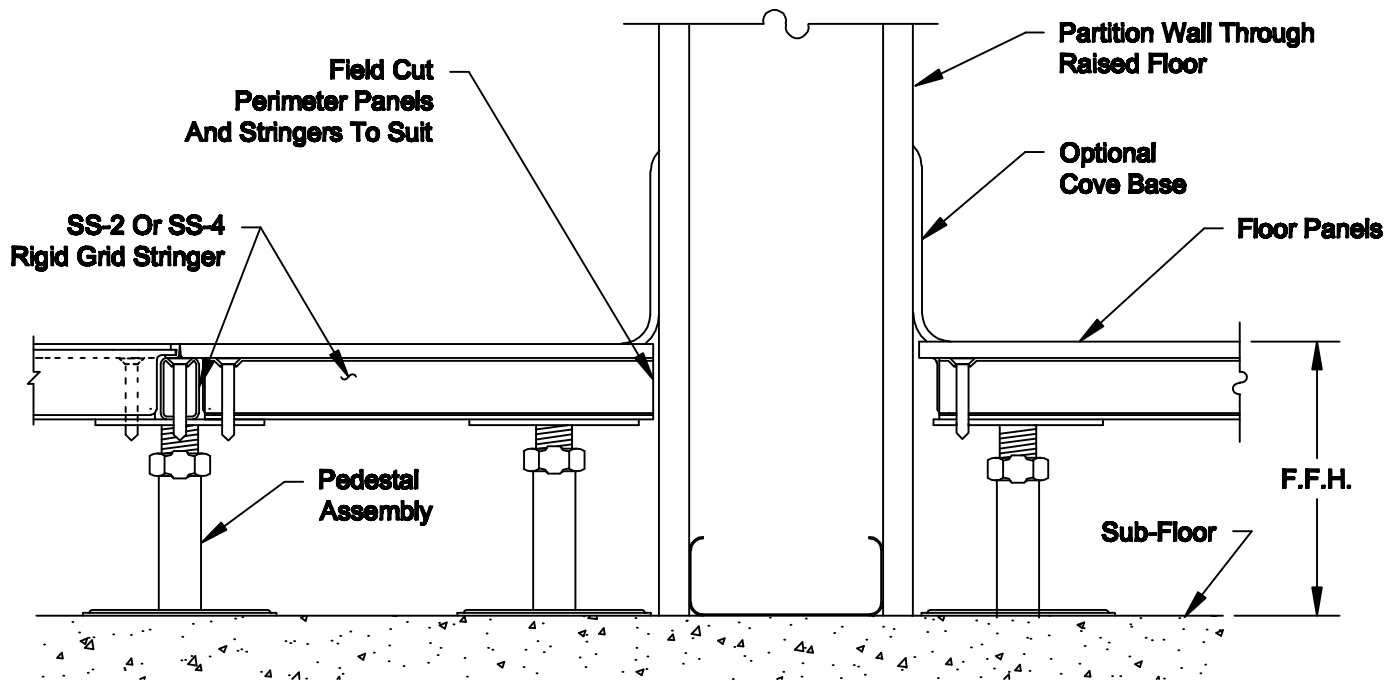
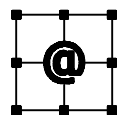


PARTITION WALL ON TOP OF RAISED FLOOR



PARTITION WALL THROUGH TO SUB-FLOOR

NOTE: Cut-Sheet drawing and specifications are subject to change without prior notice.



ASM Modular System Inc.®

9500 Industrial Center Dr.
Ladson, SC, 29468

www.asmproducts.com

Tel: 843-534-1110
Fax: 843-534-1111

**FS & S SERIES
RIGID GRID SYSTEM
PARTITION DETAILS**

Rev. 9/07

CS - 1915