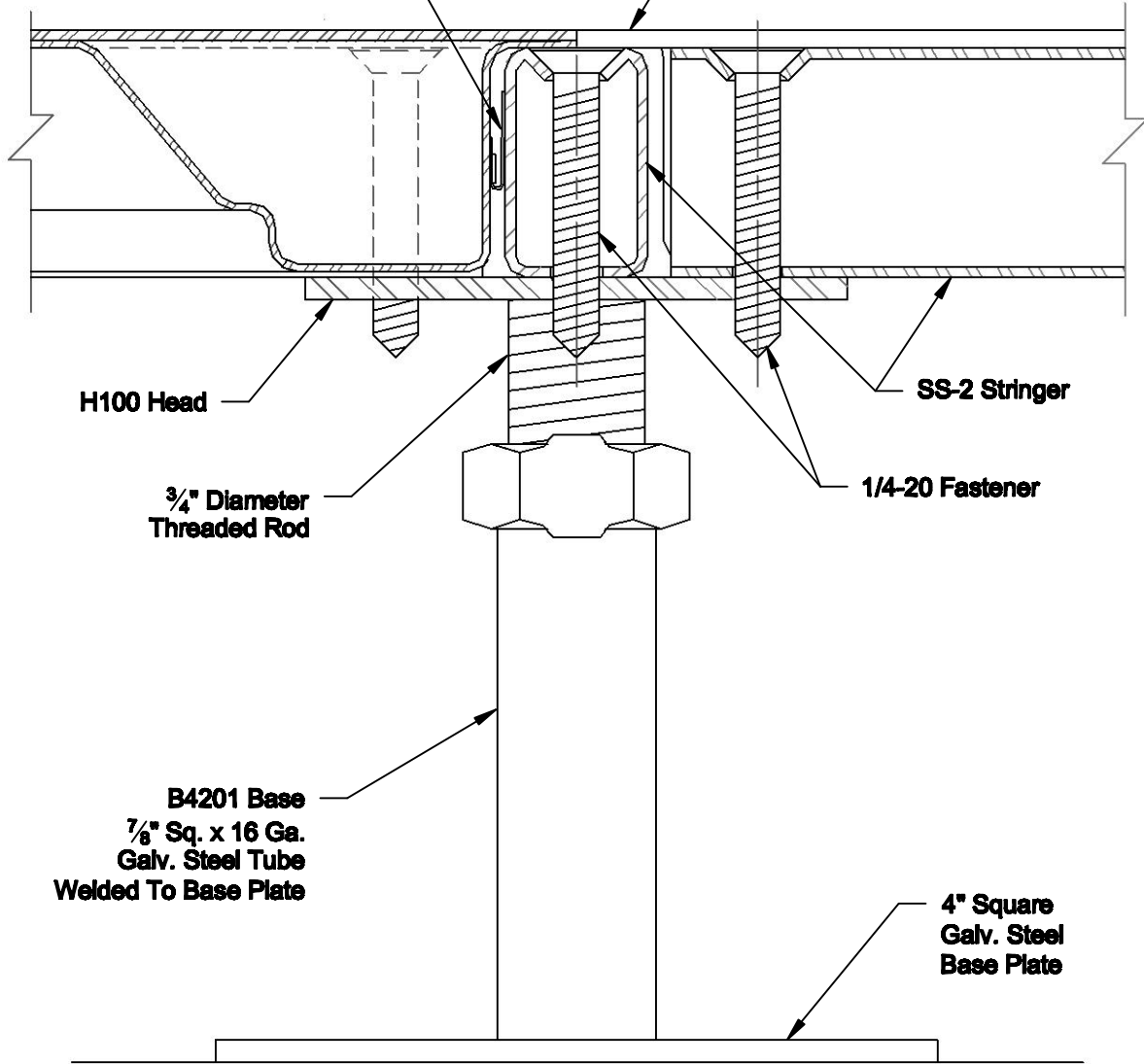


PGD Grounding Clip
Makes Positive Contact
Between Panel And Stringer

FS Series Panel
or S-Series Panel
With Bare Surface



H100 Head

SS-2 Stringer

3/4" Diameter
Threaded Rod

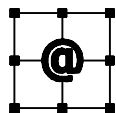
1/4-20 Fastener

B4201 Base
7/8" Sq. x 16 Ga.
Galv. Steel Tube
Welded To Base Plate

4" Square
Galv. Steel
Base Plate

SIDE ELEVATION DETAIL

NOTE: Cut-Sheet drawing and specifications are subject to change without prior notice.



ASM Modular System Inc.®

9500 Industrial Center Dr.
Ladson, SC, 29456

www.asmproducts.com

Tel: 843-534-1110
Fax: 843-534-1111

**FS & S SERIES
BARE PANEL
RIGID GRID SYSTEM
B4201/H100 PEDESTAL**

8/07

CS-1780