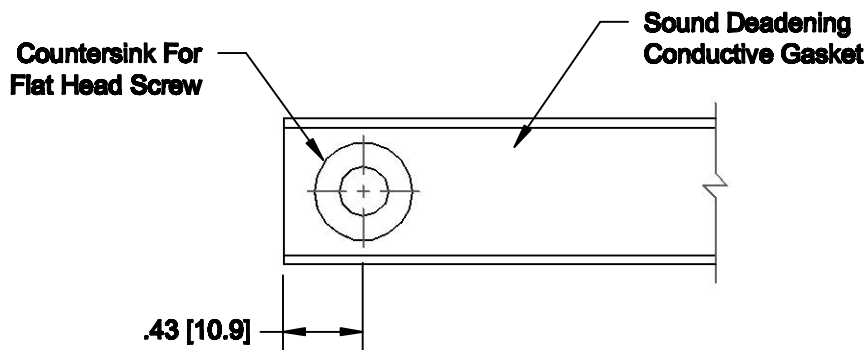
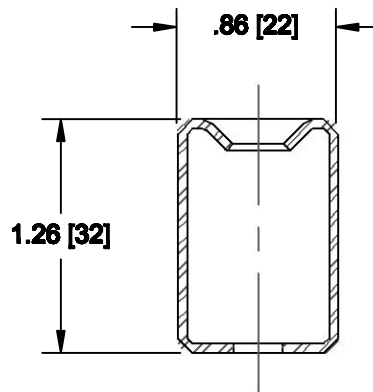


SIDE SECTION VIEW

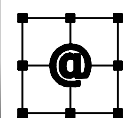


TOP END VIEW



END SECTION VIEW

NOTE: Cut-Sheet drawing and specifications are subject to change without prior notice.



ASM Modular System Inc.®

9500 Industrial Center Dr.
Ladson, SC, 29456

www.asmproducts.com

Tel: 843-534-1110
Fax: 843-534-1111

SS-1200
1200mm RIGID GRID STRINGER

8/07

CS-1284