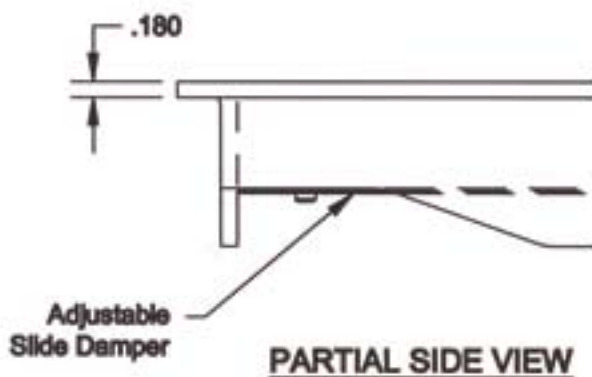


**PARTIAL BOTTOM VIEW**  
(Shown With Damper 100% Open)



**PARTIAL SIDE VIEW**

Panel Is Protected With Powder Coat Epoxy Paint

NOTE: Cut-Sheet drawing and specifications are subject to change without prior notice.


**ASM Modular System Inc.®**  
 9500 Industrial Center Dr.  
 Ledgeon, SC, 29455  
 Tel: 843-634-1110  
 Fax: 843-634-1111  
[www.asmproducts.com](http://www.asmproducts.com)

**AF500**  
**ACCEL-AIR**  
**ALUMINUM AIR FLOW PANEL**  
**WITH SLIDE DAMPER**

Rev. 3/06

CS - 1152