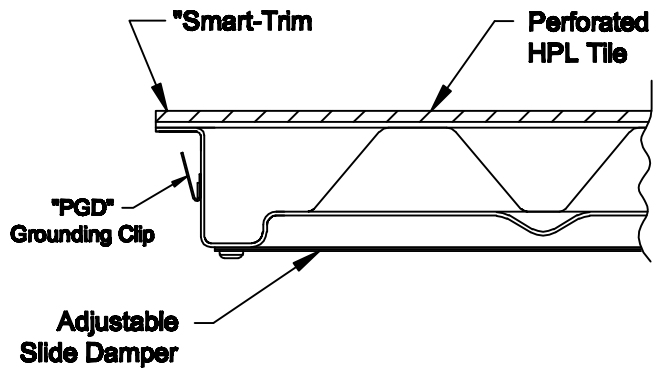


PARTIAL BOTTOM VIEW
 (Shown With Damper 75% Open)

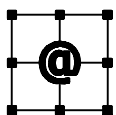


PARTIAL SECTION VIEW

Panel Is Protected With
 Powder Coat Epoxy Paint

NOTE: Cut-Sheet drawing and specifications are subject to change without prior notice.

AF200D
"LEV-A-FLO"
HPL TILE COVERED
AIR FLOW PANEL
WITH DAMPER



ASM Modular System Inc.®

9500 Industrial Center Dr.
 Ladson, SC, 29456

Tel: 843-534-1110
 Fax: 843-534-1111

www.asmproducts.com

Rev. 8/07

CS - 1104