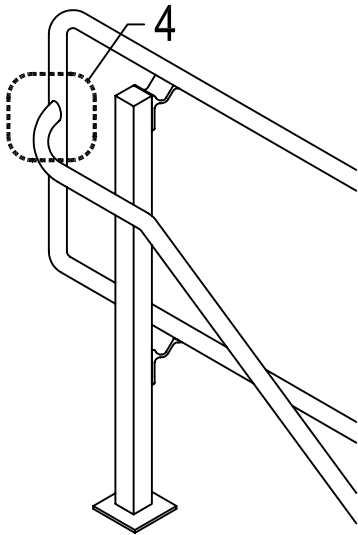
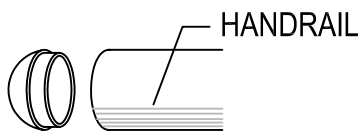


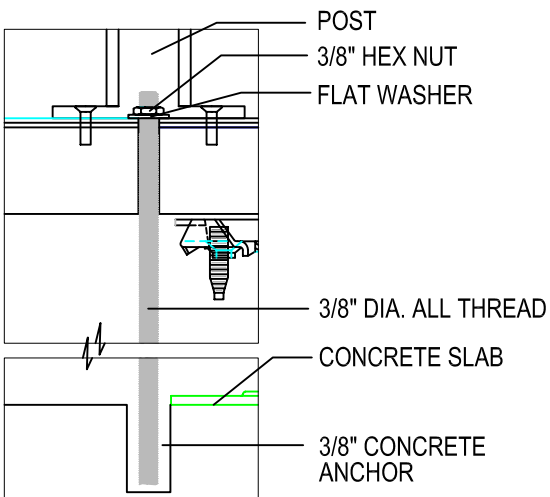
4 SIDE MOUNT DETAIL



3 TEE DETAIL

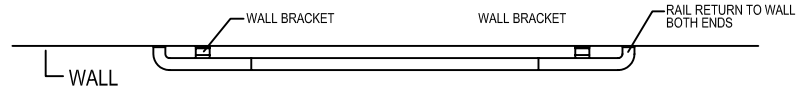


2 END CAP DETAIL

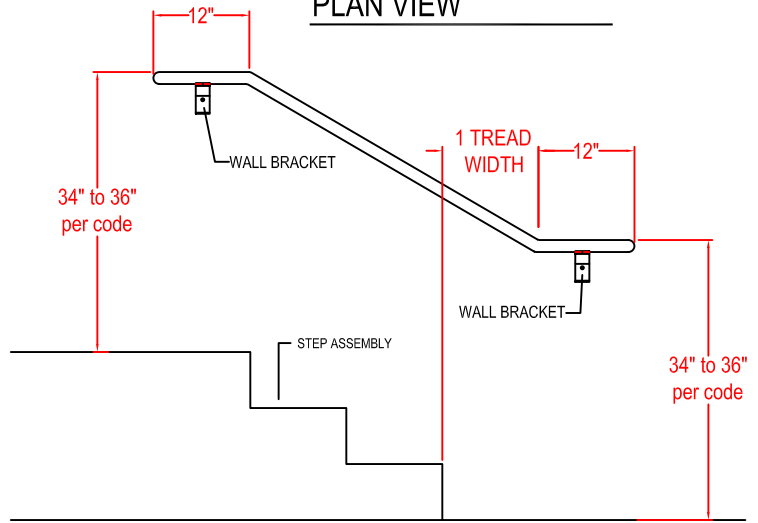


1 ENLARGED DETAIL

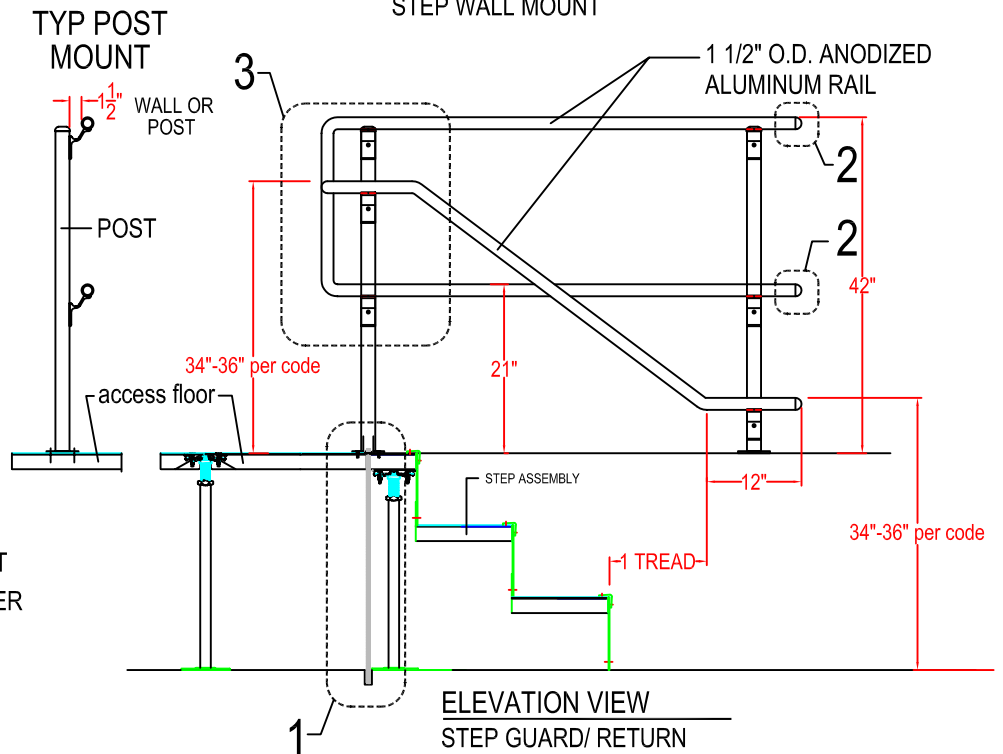
WALL MOUNT RAIL DETAIL



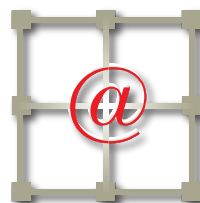
PLAN VIEW



**ELEVATION VIEW
STEP WALL MOUNT**



**ELEVATION VIEW
STEP GUARD/ RETURN**



ASM

innovations in access flooring

9500 Industrial Center Drive
Ladson, SC 29456

843-534-1110
843-534-1111 Fax

www.asmproducts.com